
TAPAS BOXES



TAPAS

Our award-winning tapas and antipasti platters are proving popular with passengers all over the world.

Traditionally served before a main course and an essential ingredient of any Mediterranean kitchen, this gourmet collection of premium cured meats, speciality cheeses, dips and olives are simple to serve in a box or on a platter and are perfect as a sharing option.

For a truly impressive meal solution, our platter tray comes with a range of options including Lonza prosciutto, Serrano ham, Beef salami, Iberico cheese, Provolone cheese, Iberico Cheese and Manchego. Additional delicacies can include hummus, mini fuets, sundried tomatoes and green olives with a delicious assortment of crackers or grissini.

You simply make your selection from the range of products and flavours and leave us to do the rest. The shelf life of these platters is up to 62 days.

Our extensive snack range is designed as a complimentary offering and Buy on Board for passengers and comes in all shapes, flavours and sizes. Bites and crisps include pretzels, nachos, olives, bread sticks and our nut selection can be custom-made in individual packaging and different weights range from 40-60 gram.

Basically, any snack goes and we are happy to work with you to supply a mini bite or a satisfying healthy mini meal to be eaten at leisure.

FOODCASE ICONS





TAPAS

Our Tapas represent some of the finest artisanal ingredients in the world. We spare no effort to seek out these gourmet food items and share them with you. Try our Tapas and you will experience their unique flavours yourself..

Tapas and Antipasti are an essential part of the Mediterranean culture, traditionally served before a meal.

Our tapas and antipasti are a collection of premium cured meat products, speciality cheeses, olives and a variety of crackers which all share a heritage of quality. Mix & Match your own Tapas or Antipasti in a platter or small box, or even single packed.

You can compose your own perfect selection with some of the greatest flavours from under the Mediterranean sun.



All our tapas components are mix and match:

MEAT

- Serrano ham
- Mini fuet
- Sliced iberico fuet
- Sliced fuet natural
- Sliced fuet chorizo
- Chorizo
- Salchichon

FRUIT & VEGETABLES

- Kalamata olives
- Greek green olives
- Mixed olives
- Turkish apricots
- Bruchetta cup
- Hummus cup

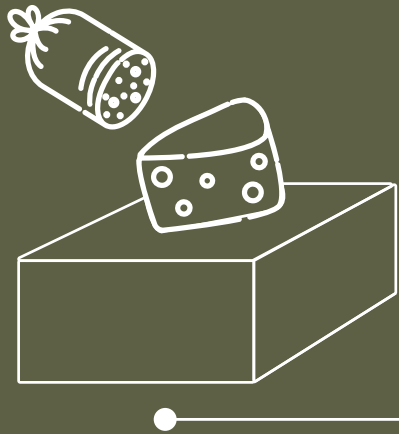
CHEESE

- Iberico cheese
- Manchego cheese
- Curado cheese
- Italian provolone cheese
- Spanish Oveja cheese
- Cheese pops

BREAD BASED

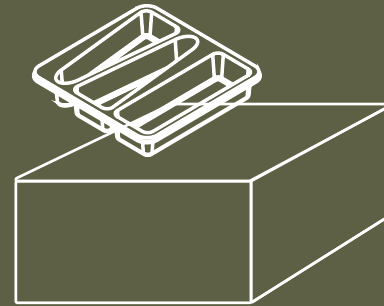
- Picco's
- Flat crackers
- Rice crackers
- Mini grissini
- Rosemary crackers
- Pretzels

HOW TO CREATE YOUR OWN TAPAS BOX:



STEP 1

Choose your content



STEP 2

Select your packaging



STEP 3

Create your design

STEP 1: TRAY COMPONENTS

Make a selection of 3 components per tray.

MEAT SELECTION



Serrano ham



Sliced fuet natural



Sliced fuet chorizo



Spanish kabanos



Sliced iberico fuet



Longaniza Fuet Sticks



Mini fuet



Chorizo



Turkey salami



Beef salami



Salchichon

BREAD & CRACKER SELECTION



Flat crackers



Rosemary crackers



Breadsticks / Pico's



Pretzels

CHEESE SELECTION



Manchego D.O.P cheese



Matured Dutch cheese



Matured (Curado) Spanish Cheese



Iberico cheese



Spanish Sheep Cheese (Oveja)



Italian provolone



Gouda cheese pops

FRUITS & VEGETABLES SELECTION



Turkish apricots



Mixed olives



Green olives

*The product photos are for reference purpose only

*The product photos are for reference purpose only



SINGLE PACKED ITEMS

In addition to the tray components, you can select items to finalise your customised box.

SPREADS IN CUPS SELECTION



Hummus



Tomato bruschetta



Black olive tapenade

BREAD & CRACKER SELECTION



Mini Grissini's



Rice crackers



Delsers crackers



Pretzels

SMOKED SAUSAGES



Original smoked



Smoked sausages



Honey maple smoked

SINGLE PACKED ITEMS

In addition to the tray components, you can select items to finalise your customised box.

FRUIT BAR SELECTION



Fruitbar
Banana apple



Fruitbar Mango
apple



Fruitbar
Fig apple



Fruitbar
Cherry apple



Mini fruit bar
banana apple



Mini fruit bar
Mango apple



Mini fruit bar fig
apple

13 SINGLE PACKED ITEMS

In addition to the tray components, you can select items to finalise your customised box.

SNACK SELECTION



Mini cheese sticks



Mini cheese crisps



Parmesan bites



Salty crackers



Green olives

SNACK SELECTION



Country mix olives



Marinated fennel olives



Kalamata Thyme & parsley



Tomato & Oregano



Green Olives



Ginger & Lemon



BBQ



Salt and Vinegar

14 SINGLE PACKED ITEMS

In addition to the tray components, you can select items to finalise your customised box.

NUTS SELECTION



Honey & Sesame Almonds



Black pepper peanuts



Tuscan cashews



Black truffle cashews

NUTS SELECTION



Pistache



Nutmix



Cashews



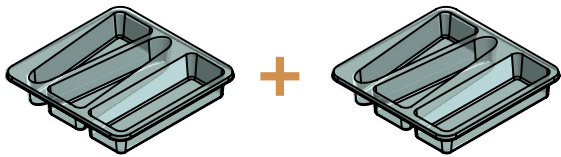
Almonds

SELECT YOUR PACKAGING**OPTION 1:**

1 x 3 compartment tray
2 x single packed items

**OPTION 2:**

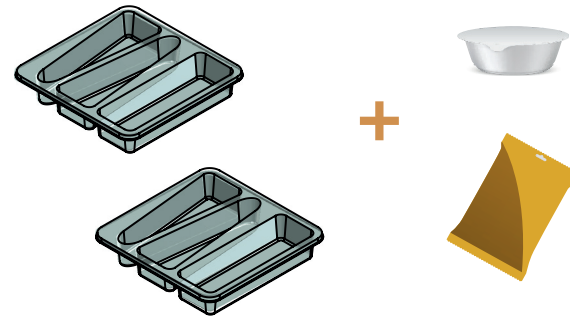
2 x 3 compartment trays

**OPTION 3:**

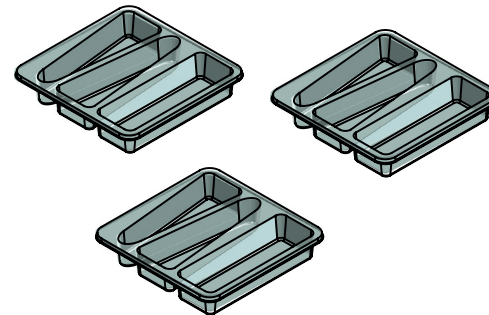
2 x single tray
2 x single packed items

**OPTION 1:**

2 x 3 compartment trays
2 x single packed items

**OPTION 2:**

3 x 3 compartment trays



1 X MAP TRAY. OPTIONAL BANDEROL OR SLEEVE





* examples



62



105 g
Serrano ham, Iberico cheese, Mini fuet, Bruschetta spread, Mini grissini



62



135 g
Olive mix, Iberico cheese, Manchego cheese, Hummus, Rice crackers

PERSONALIZE YOUR DESIGN

To finalize your Tapas Box you can choose what kind of artwork you would like to have.

You can choose from a banderole which goes around the box or a sticker which will be placed on top. For the artwork you can:

1. Create your own personalized design
2. Foodcase can create a design on your behalf
3. Use the standard Foodcase design

A SMILE IN A BOX!





WE ARE FOODCASE

You want to know more?



Foodcase International BV

Bronland 12L-1
6708WH Wageningen
The Netherlands

Wageningen University Campus



+31(0) 317 450 604



info@foodcase-international.com



www.foodcase-international.com



FOODCASE
international